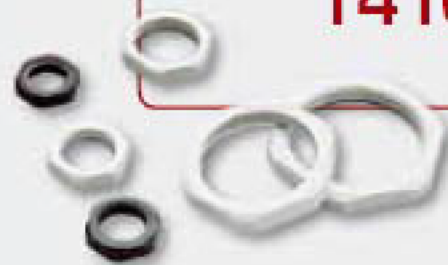


LOCKNUTS WITHOUT COLLAR

Polyamide PA6 or PA6.6

1112
1710
1410



Metric thread M 1.5 pitch CEI EN 60423

Ref. Light Grey	P	B Spanner (mm)	H (mm)	Quantity Box/Bag
1112	M12X1,5	17	5	1.000/100
1116	M16X1,5	22	5	700/100
1120	M20X1,5	27	6	400/100
1125	M25X1,5	32	6	100
1132	M32X1,5	41	7	50
1140	M40X1,5	50	7	30
1150	M50X1,5	60	8	30
1163	M63X1,5	75	8	15

Add to Ref. N for Black

Material:
POLYAMIDE PA6 or 6.6
self-extinguishing class V2 (UL 94)
Temperature range:
-20°C to +90°C (continuous)
Colour: RAL 7035 light grey,
RAL 9005 black

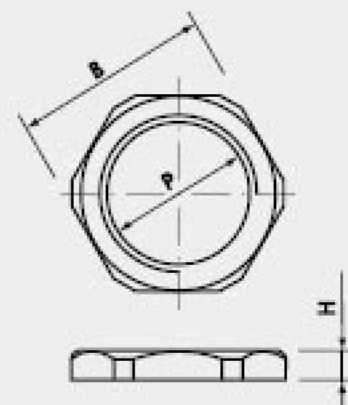
Pg thread DIN 40 430 - Dimensions DIN 46 320

Ref. Light Grey	P	B Spanner (mm)	H (mm)	Quantity Box/Bag
* 1719E17	Pg 7	17	5	1.000/100
1719	Pg 7	19	5	100
1710	Pg 9	22	5	700/100
1711	Pg11	24	5	500/100
1712	Pg13,5	27	6	400/100
1713	Pg16	30	6	100
△*1714E34	Pg21	34	7	100
1714	Pg21	36	7	100
1715	Pg29	46	7,5	50

Add to Ref. N for Black

△ Light Grey only

* Not DIN 46 320



BSP thread ISO 228/1

Ref. Light Grey	P	B Spanner (mm)	H (mm)	Quantity Box/Bag
1410	G1/4"	19	5	800/100
1411	G3/8"	23	6	600/100
1412	G1/2"	27	6	400/100
1413	G5/8"	30	6	100
1414	G3/4"	34	7	100
1415	G1"	40	7	50

Add to Ref. N for Black